



## Super II™

»»» High Performance Pumps

FULL FLOW HYDRAULIC DESIGN  
FOR MAXIMUM EFFICIENCY





Super II Pumps are designed with full-flow hydraulics, allowing for greater flow at a lower cost of operation.



Super II 2-speed pump models are ENERGY STAR® certified which means local utility rebates may apply.



Super II Pump housing design and heavy-duty, high-performance motor features airflow ventilation for quieter, cooler operation.

**Transparent Strainer Basket Cover**  
so pool owners know exactly when to empty the extra-large debris basket



**Includes Pump Lid Removal Tool**

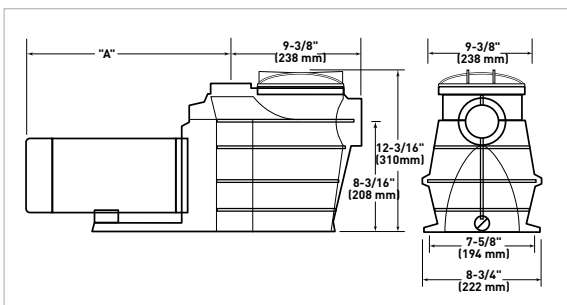
**155 Cubic-Inch Basket**  
has rigid construction including load-extender ribbing for free-flowing operation

**Uni-Bracket Mounting Base**  
provides stable, stress-free support, plus versatility for any installation requirement. Adapts 48- and 56-frame motors.

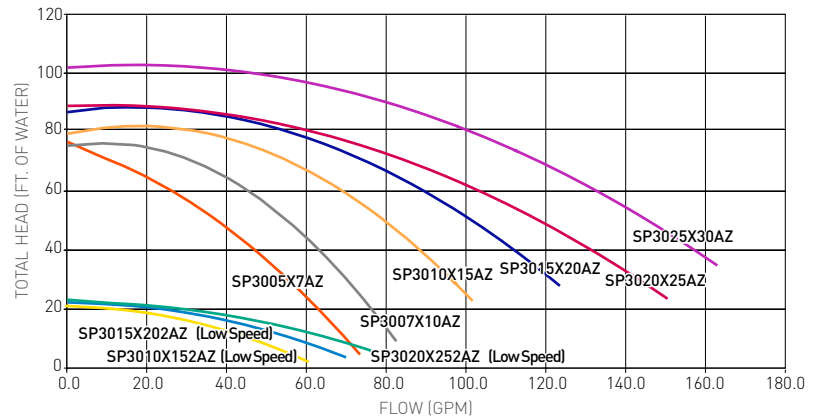
### SPECIFICATIONS

MODEL	MOTOR POWER					PORT SIZE inches	DIMENSION "A"	
	Total HP	Rated HP	Service Factor	KW	Voltage		inches	mm
<b>MAX RATED SINGLE-SPEED</b>								
SP3005X7AZ	0.75	¾	1.00	0.56	115/230	1 ½	14 ½	359
SP3007X10AZ	1.10	1	1.10	0.82	115/230	1 ½	14 ½	368
SP3007X10AZ2	1.10	1	1.10	0.82	115/230	2	14 ½	368
SP3010X15AZ	1.50	1 ½	1.00	1.12	115/230	2	15 ⅝	397
SP3015X20AZ	2.00	2	1.00	1.49	115/230	2	16 ⅝	422
SP3020X25AZ	2.50	2 ½	1.00	1.87	230	2	16 ⅝	422
SP3025X30AZ	3.45	3	1.15	2.57	230	2	17 ¾	451
<b>MAX RATED DUAL-SPEED</b>								
SP3010X152AZ	1.50	1 ½	1.00	1.12	230	2	14	356
SP3015X202AZ	2.00	2	1.00	1.49	230	2	14 ½	368
SP3020X252AZ	2.50	2 ½	1.00	1.87	230	2	17 ½	445

### SUPER II DIMENSIONS (INCHES)



### SUPER II FLOW VS. TOTAL HEAD PERFORMANCE DATA



» hayward.com » 1-888-HAYWARD

Super II pumps are listed by:



Pumps » Filters » Heating » Cleaners » Sanitization » Automation » Lighting » Water Features » White Goods

Hayward is a registered trademark and Super II is a trademark of Hayward Industries, Inc.  
©2017 Hayward Industries, Inc.

