



INSTRUCTION SHEET

SP-712 Series *Vari-Flo* Valve

Pat. No. 3,640,310



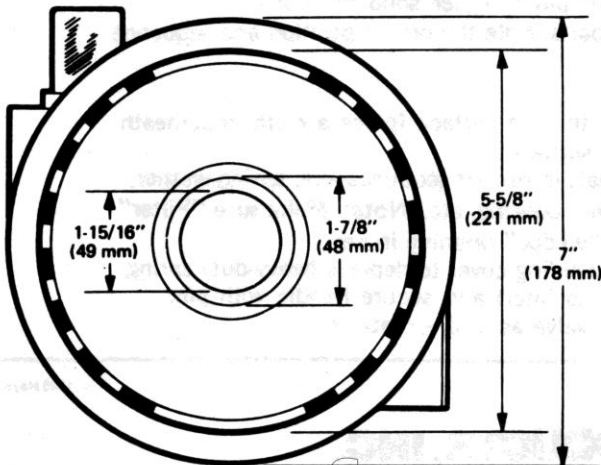
APPROVED

- HANDLE
- HANDLE PIN
- NON-METALLIC BEARING
- COVER
- COVER SCREW
- COVER O-RING
- O-RING SHAFT SEAL
- SPRING
- KEY/STEM ASSEMBLY
- VALVE SEAT GASKET

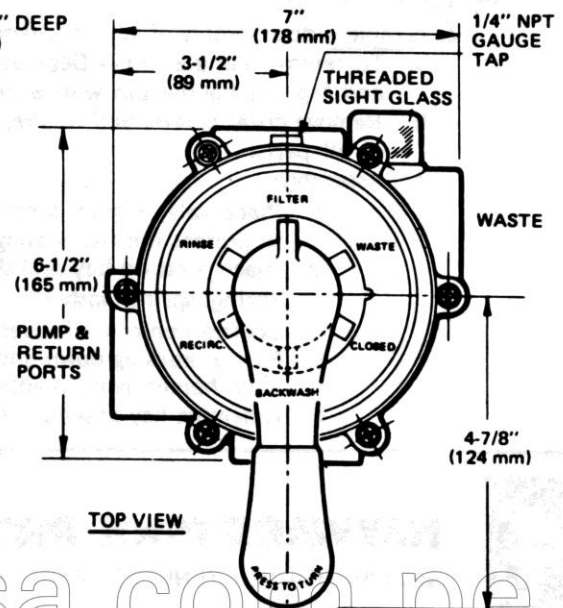
CROSS SECTION VIEW

OVERDRAIN (DIFFUSER)

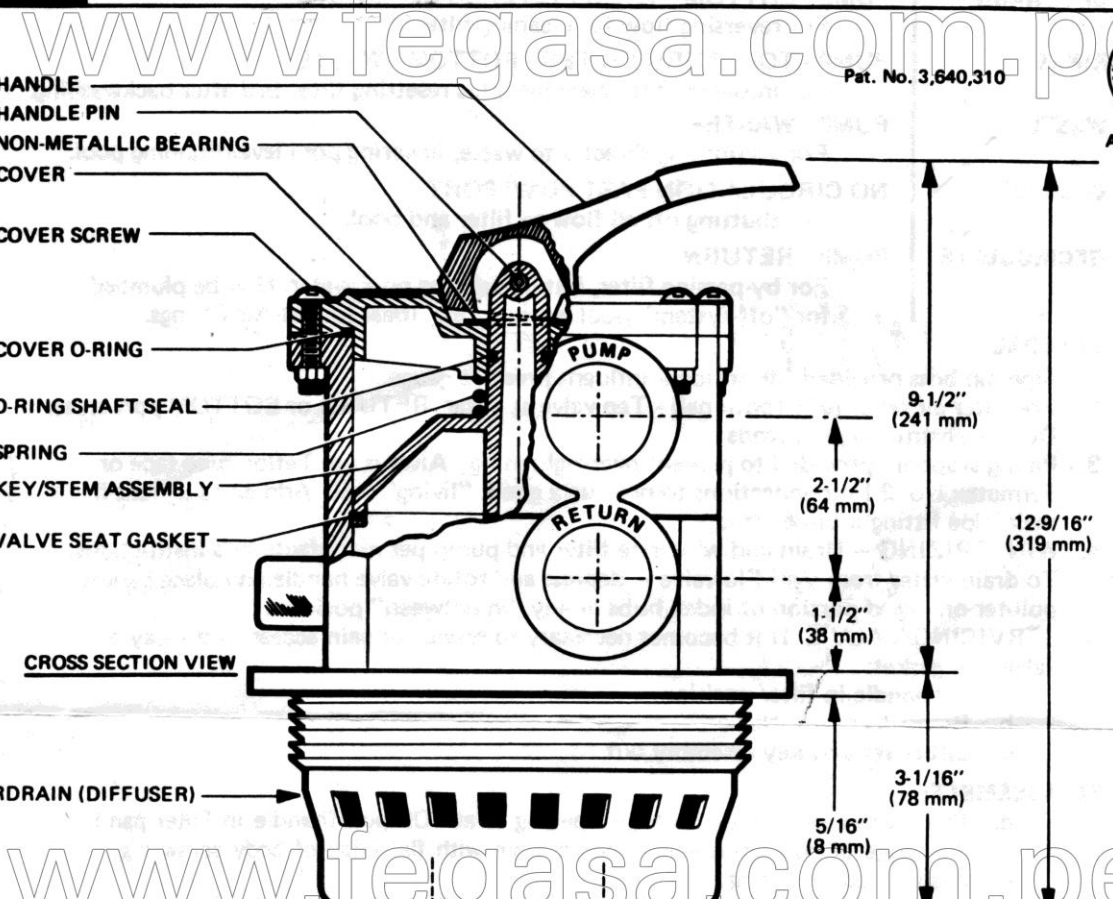
UNDERDRAIN PIPE SOCKET - 1-11/16" DEEP (43 mm)



BOTTOM VIEW



TOP VIEW



www.fegasa.com.pe